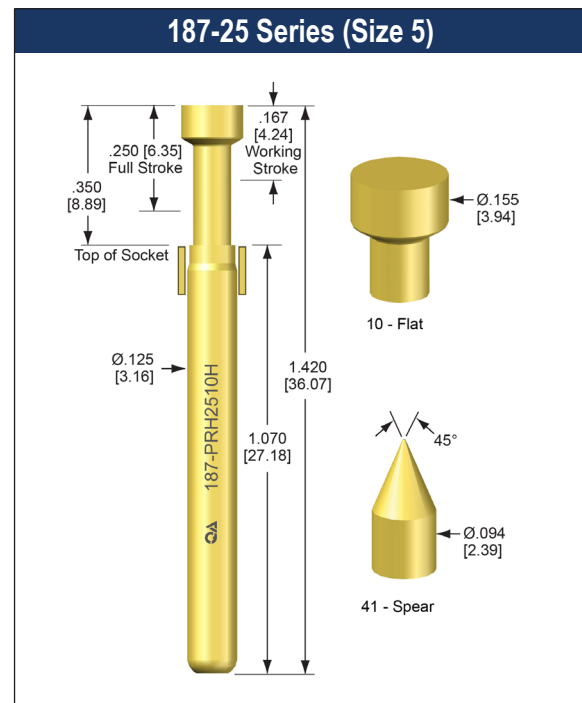
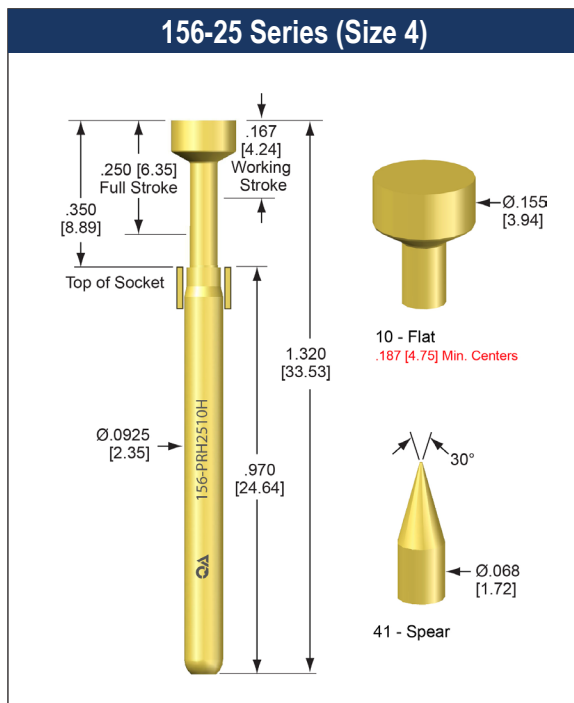


Printed circuit board test points and finishes are constantly changing to meet the requirements for faster, more powerful and durable devices while utilizing chemistries designed to reduce their environmental footprint. QA Technology works closely with our customers to develop tip styles that will meet these challenging applications through reliable contact and long life.

10 Flat and 41 Spear

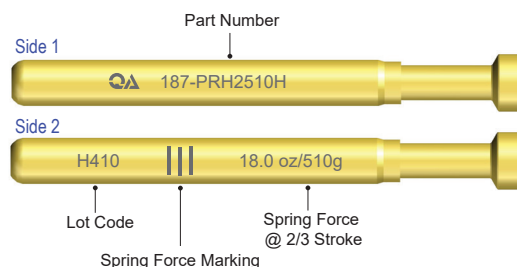
We are pleased to add a new **10 Flat** and **41 Spear** tip style in our 156-25 & 187-25 conventional product series. The **10 Flat** tip design is to contact leads, terminals & posts, while the **41 Spear** is for contacting pads, vias & through hole targets for a variety of in-circuit and functional test applications.



New Probe Identification

For ease of selection and to identify the proper replacement probe, QA Technology is now featuring a laser-marked identification method on our 125, 156 and 187 probe series. This system will easily identify the exact part number for probe replacement during regular scheduled maintenance. This identification includes QA's complete part number, spring force (oz/g) and our signature banded codes. It also includes our manufacturing lot code for traceability.

This new identification method is being phased in. Future shipments may include some inventory with the older marking style until this stock is depleted.



SPRING FORCE IDENTIFICATION	
MARKING	SPRING FORCE
	L - Low
	S - Standard
	H - High
■	Y - Elevated