

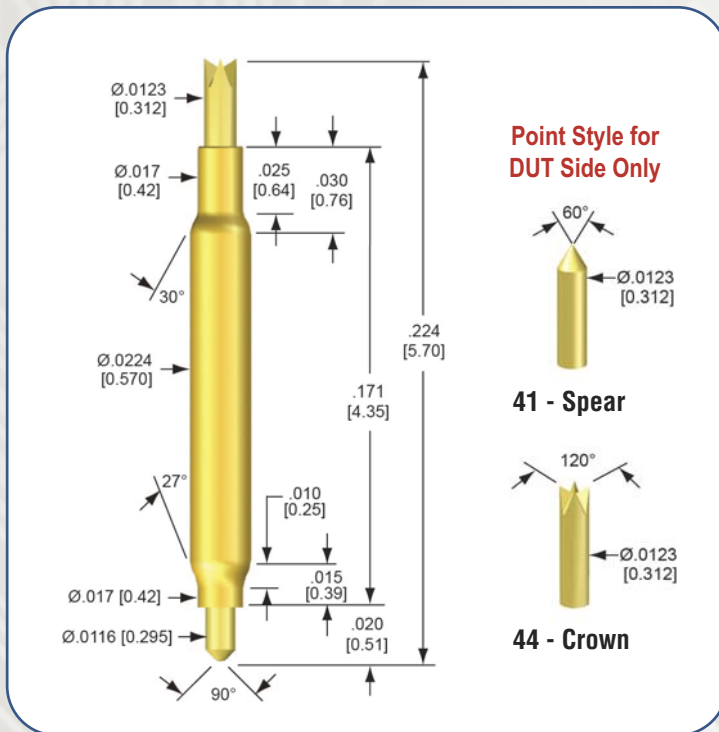


Technology Company, Inc.

New Options for .8mm BGA probes M08-89 Series

February 5, 2014

QA Technology Company, Inc. is pleased to expand on our material options for our .8mm ball grid array probes. A new copper alloy gold plated probe tube and higher spring force options have been added. The higher spring option gives additional forces when needed to improve contact on the test target.



Probe Specifications

Full stroke: .035 [.89]

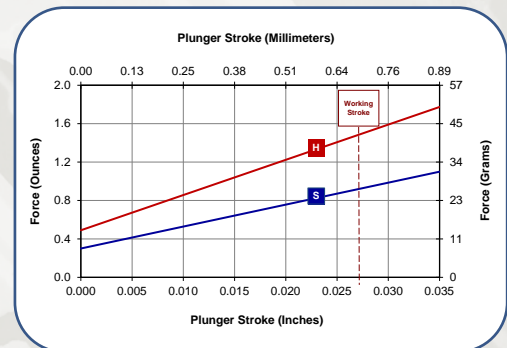
Working stroke: Up to .027 [.69]

(includes both plungers)

Operating temp.: *Up to 400°F [204°C]

Current rating: 6.0 Amps

Spring Force:



Part Number M08-PR 89

Tube	Letter	Material / Finish		Average Resistance	
	G **NEW**	Copper alloy / gold plated			< 40 milliohms
	H	High conductivity / precious metal clad		< 30 milliohms	
Point	Digits	Material / Finish			
	See Points	Heat treated BeCu / gold plated over nickel			
Spring Force	Letter	Material	Preload	@ .027 [.69] Stroke	Mechanical Life (cycles @ .027 [.69] Stroke)
	SL*	Stainless Steel	.33 [9.4]	.88 [25]	1,000,000 min
	S	Stainless Steel	.32 [9.0]	.95 [27]	1,000,000 min
	H **NEW**	Stainless Steel	.49 [14]	1.48 [42]	1,000,000 min

*Lubricated. Operating temp is -50° to 250°F [-45° to 120°C]

For samples or pricing, please contact us at (603) 926-0348 or email sales@gatech.com

All dimensions are in inches [mm].
All spring forces are in ounces [gms].